

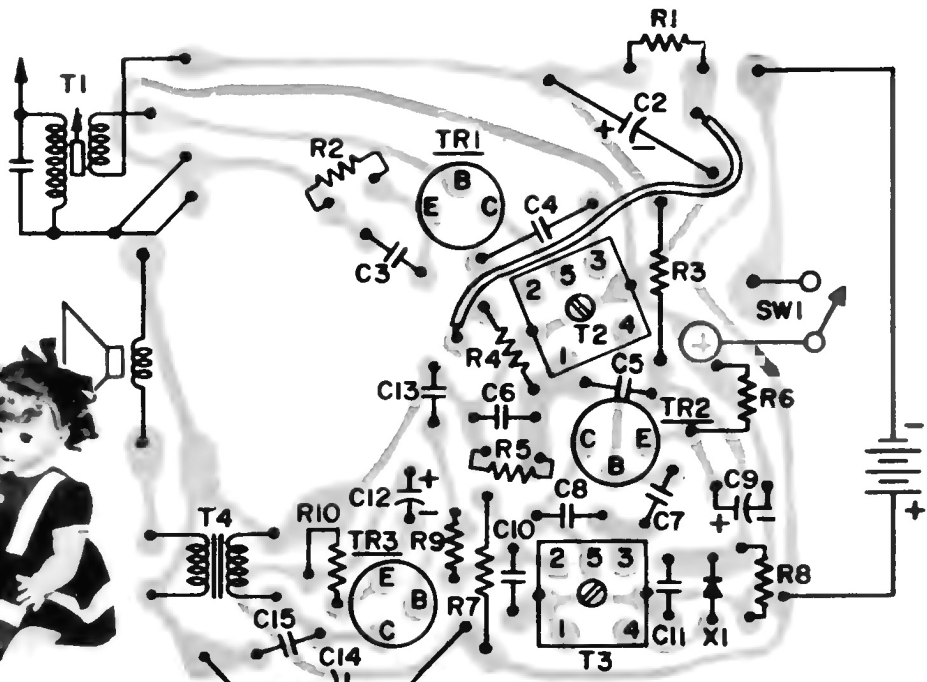
WESTINGHOUSE ELECTRIC

MODELS

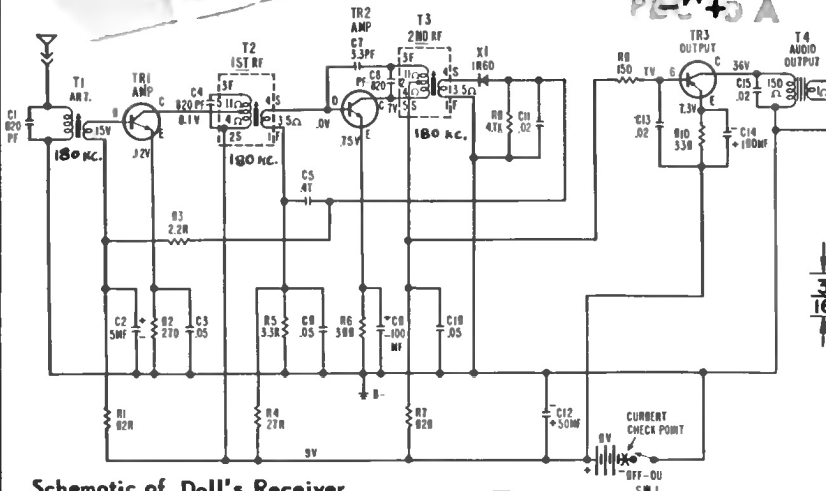
ED-1 (Blonde)

ED-2 (Brunette)

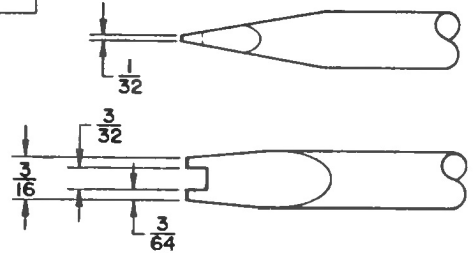
TALKING DOLL



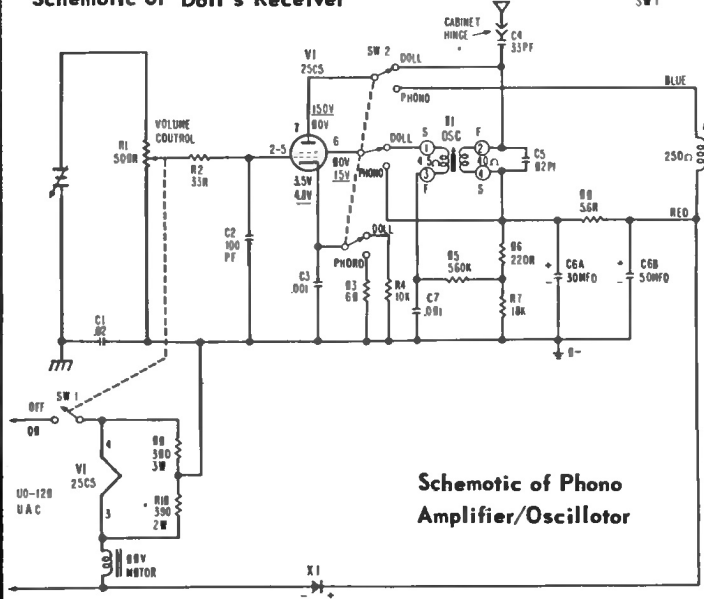
Bottom View of Doll's PC Board With Top Components Shown in Solid Outline.



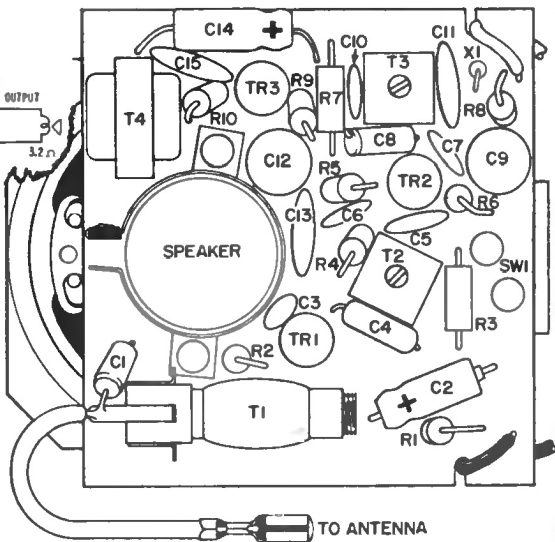
Schematic of Doll's Receiver



Special tool used for Motorboard Screw Removal. Should be made from a 3/16" screwdriver.



Schematic of Phono Amplifier/Oscillator



Top View of Doll's PC Board.